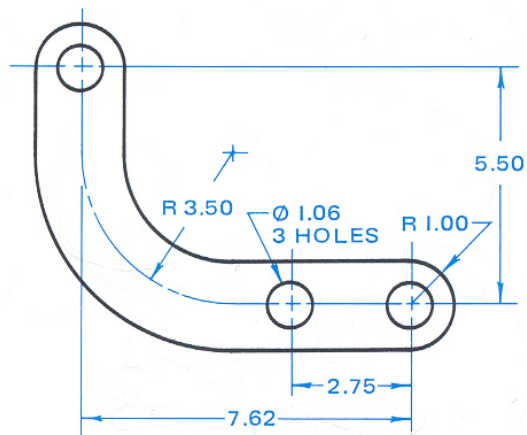
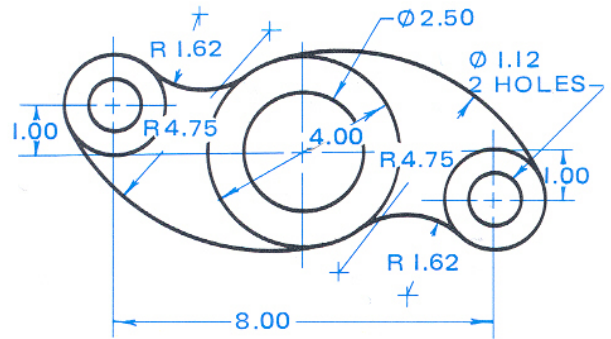


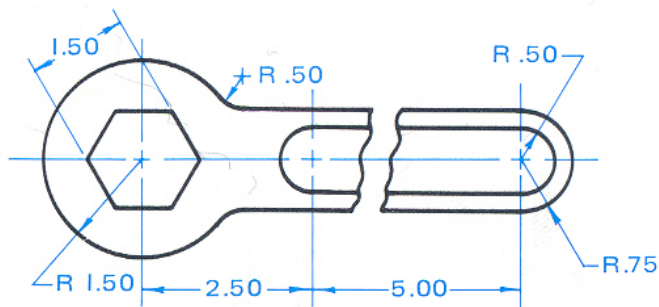
# 2015 SINGLE VIEW PRECISION CAD DRAWINGS



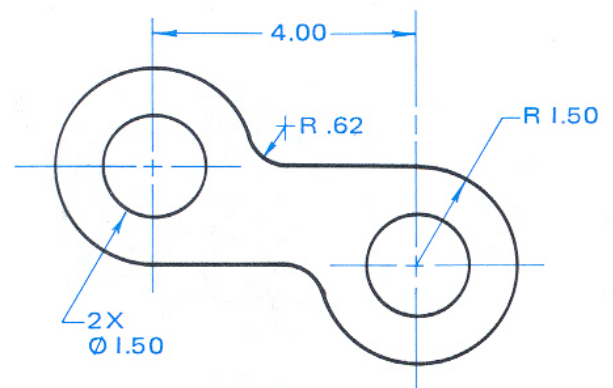
**ROD SUPPORT (FIG 3.25)**



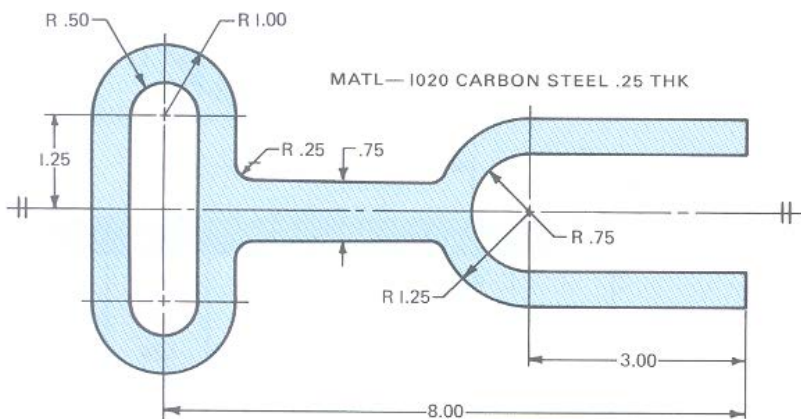
**ROCKER ARM (FIG 3.26)**



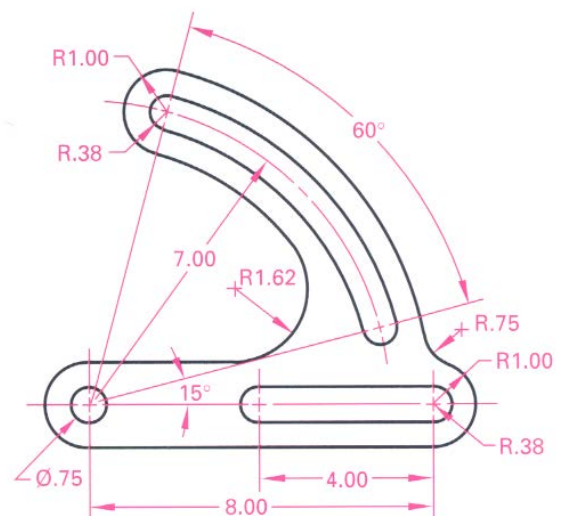
**HEX WRENCH (FIG 3.27)**



**OFFSET LINK (FIG 3.28)**



**FORK (FIG 3.29)**



**SLIDING ADJUSTER (FIG 3.30)**