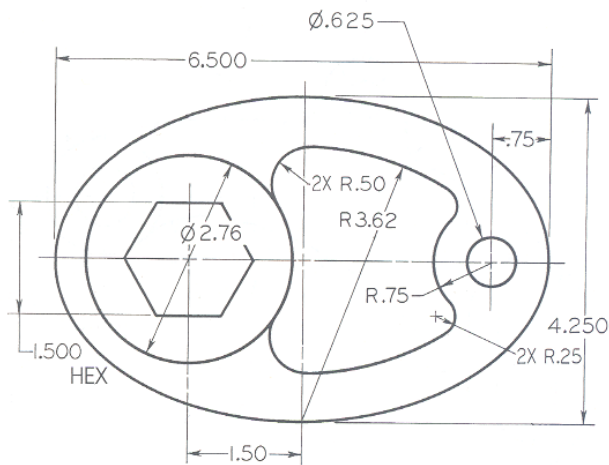
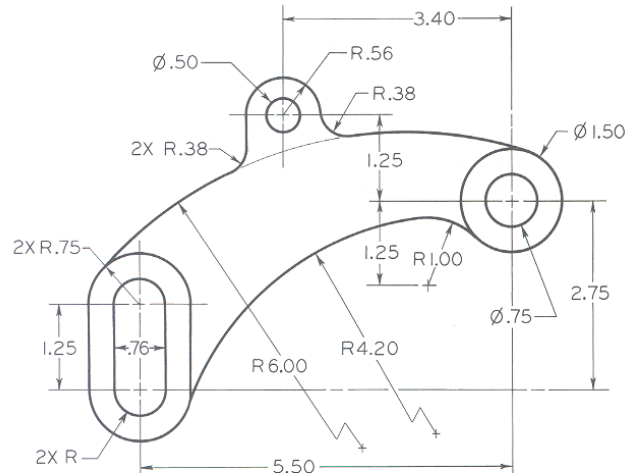


2015 SINGLE VIEW PRECISION CAD DRAWINGS

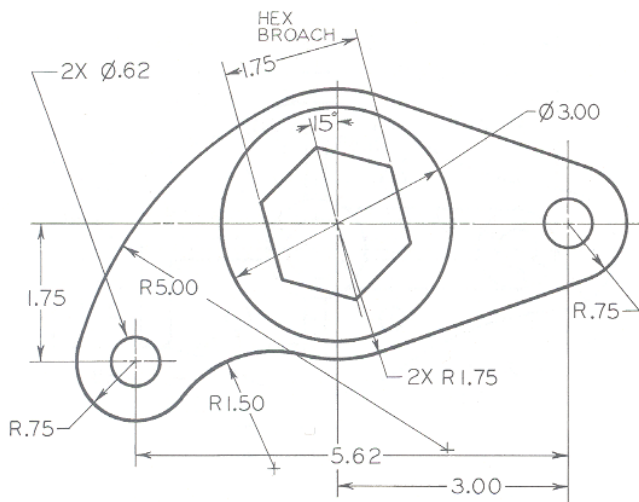
EXTRA CREDIT



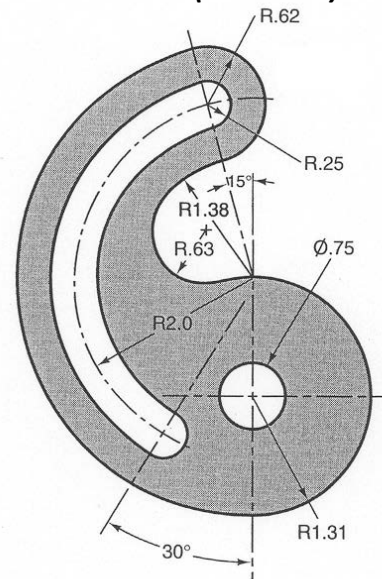
ELLIPSE PLATE (FIG 3.50X)



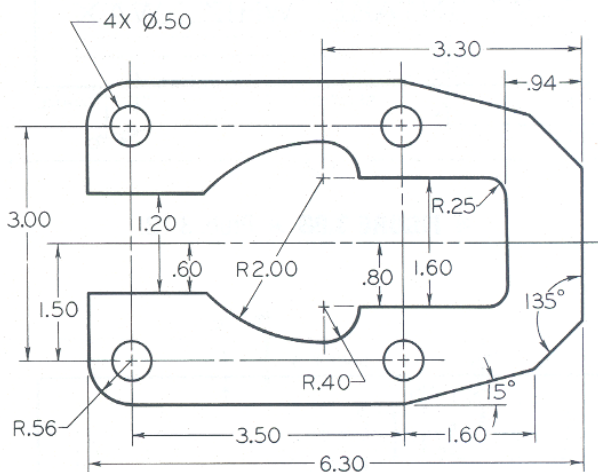
RADIUS BAR (FIG 3.51X)



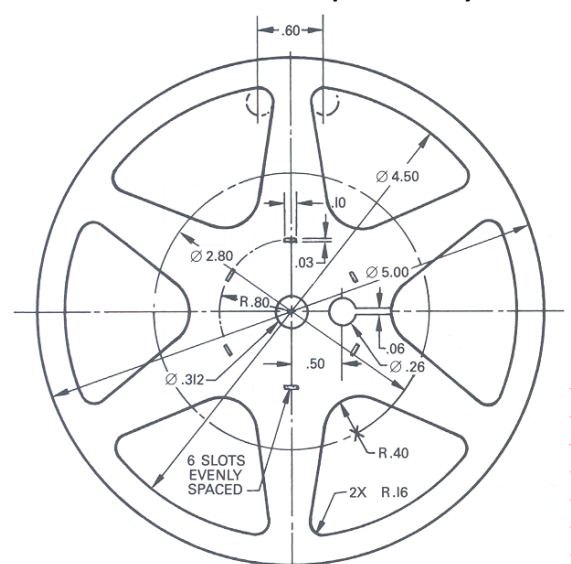
HEX SUPPORT PLATE (FIG 3.52X)



ROTATION GAUGE (FIG 3.53X)



FLAT MOUNTING PLATE (FIG 3.54X)



SPOKE WHEEL (FIG 3.55X)