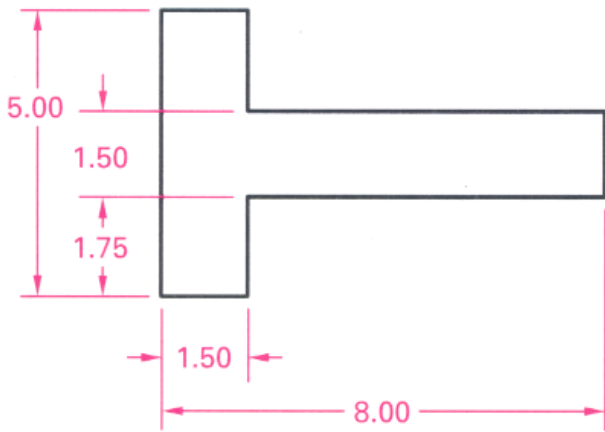
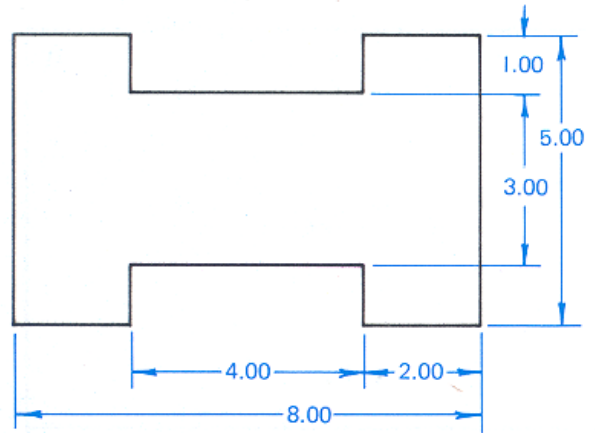


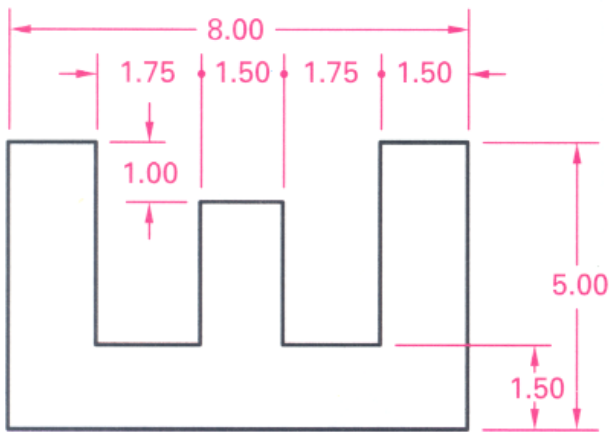
2015 SINGLE VIEW CAD DRAWINGS



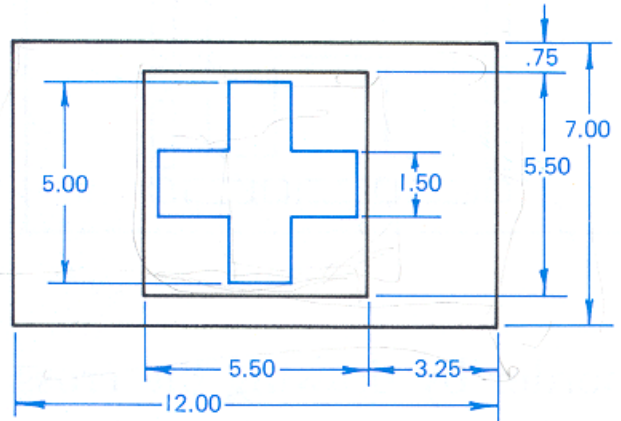
T-BRACKET (FIG 2.40)



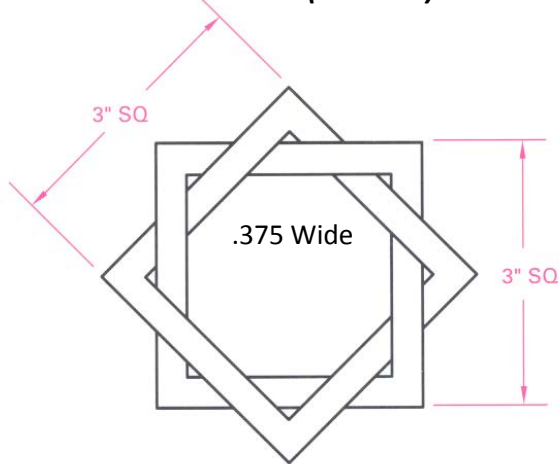
H-PLATE (FIG 2.41)



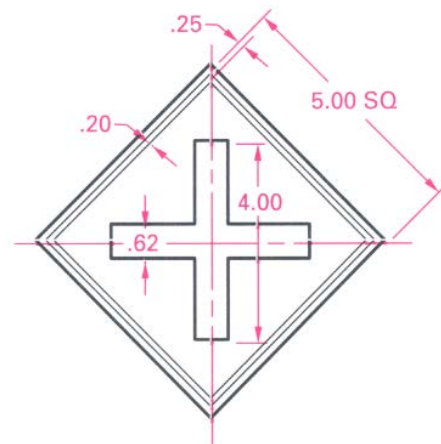
E-TEMPLATE (FIG 2.42)



FIRST AID STATION (FIG 2.43)



INTERLOCK BRACKET (FIG 2.44)



HIGHWAY WARNING SIGN (FIG 2.45)