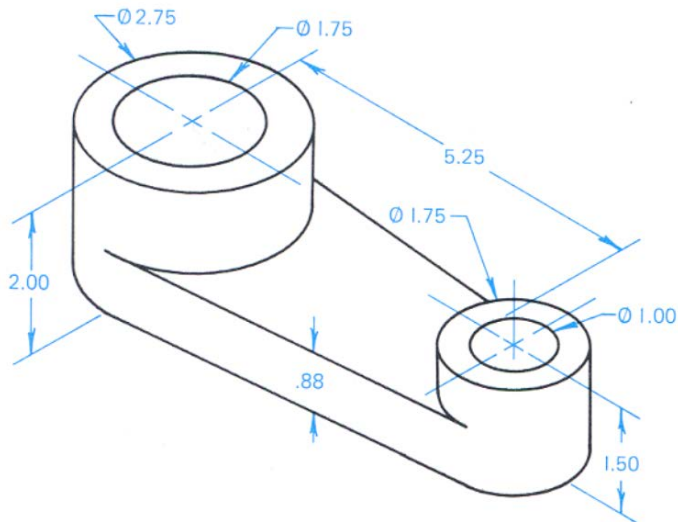
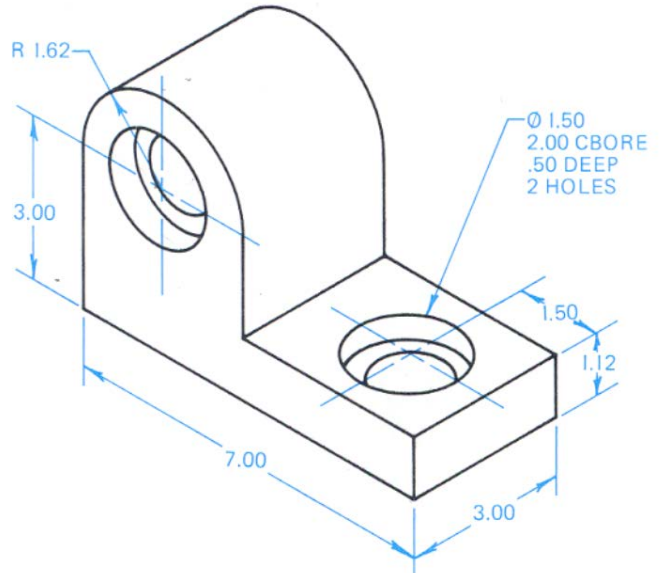


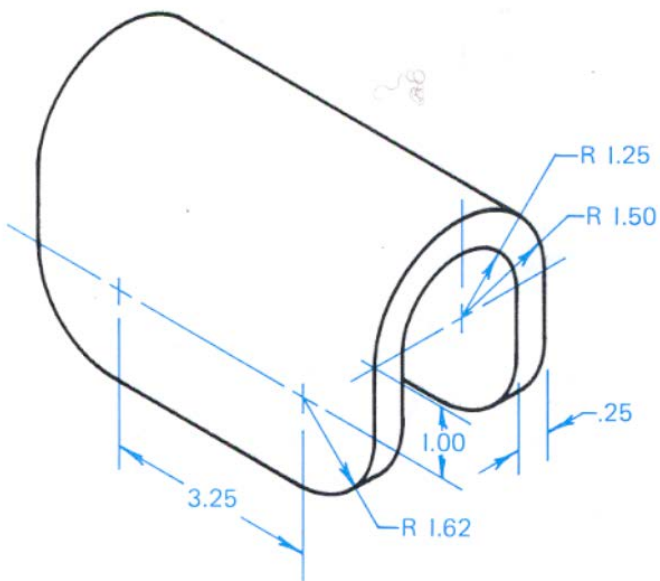
# Dakota High School – Mechanical Design Dimensioning Set #1



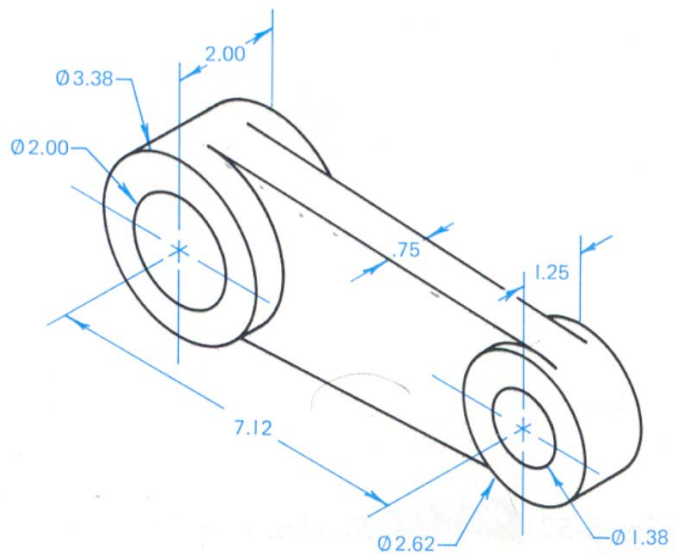
**Fig: 5-64 Swivel Arm**



**Fig: 5-65 Shaft Support**



**Fig: 5-66 Edge Protector**



**Fig: 5-67 Pivot Arm**