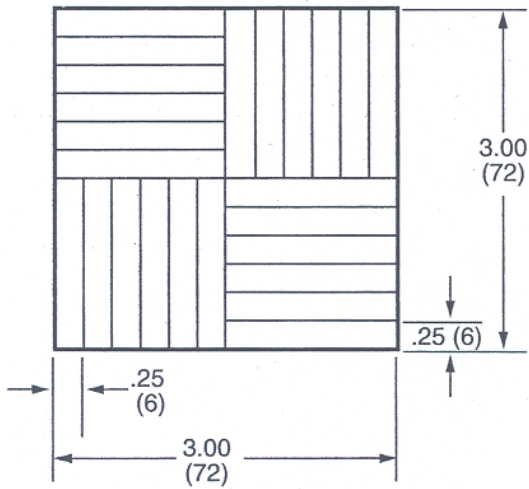
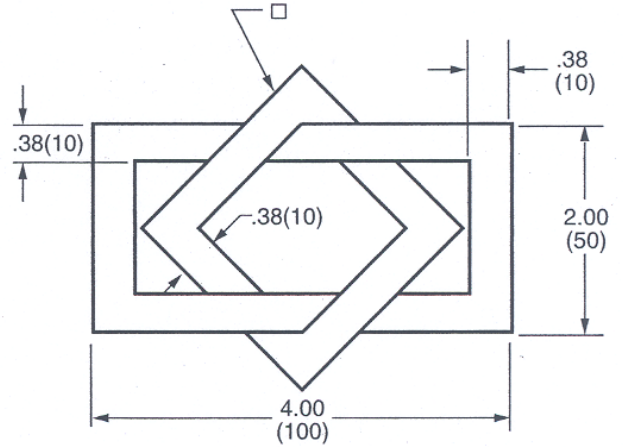


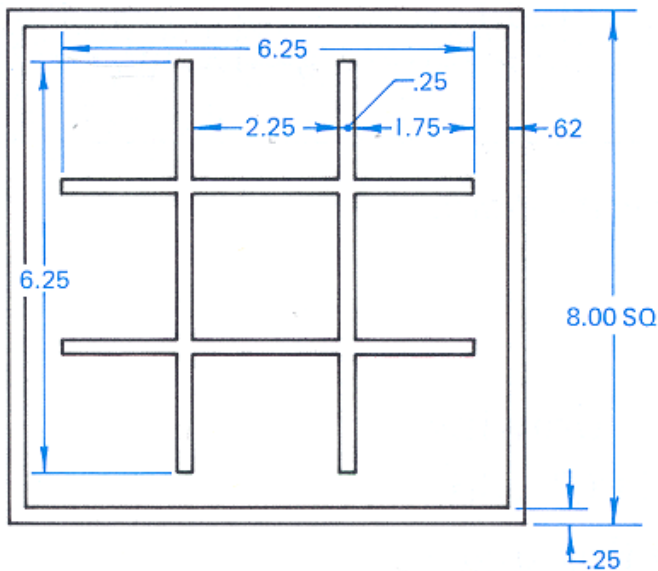
2015 SINGLE VIEW CAD DRAWINGS



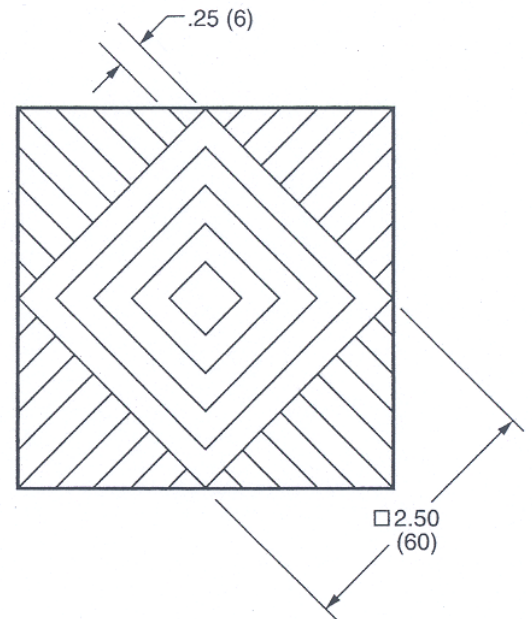
PARKAY FLOOR (FIG 2.50)



INTERLACE BRACKET (FIG 2.51)



TIC TAC TOE (FIG 2.52)



MATRIX (FIG 2.53)