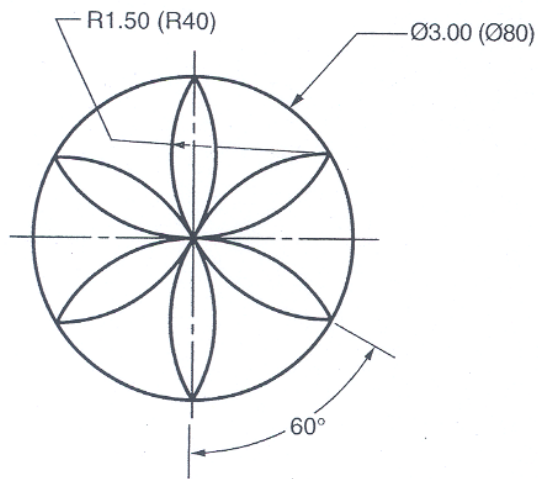
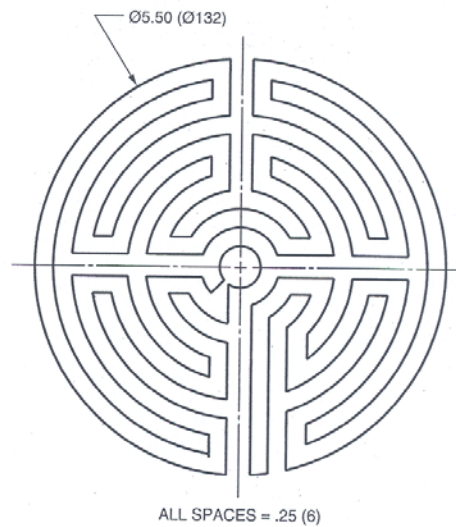


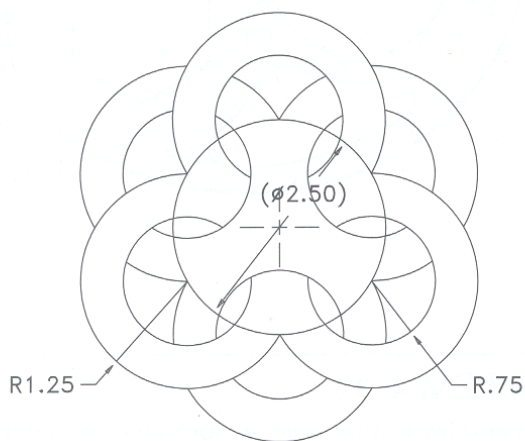
# 2015 SINGLE VIEW CAD CIRCLE DRAWINGS



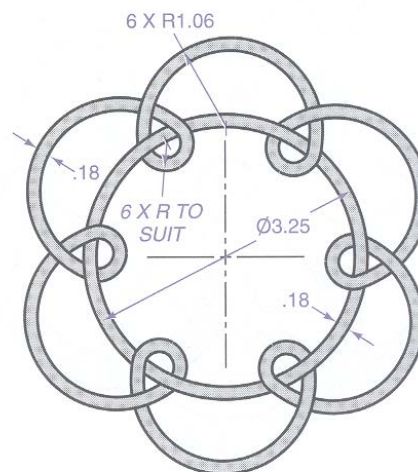
**FLOWER (FIG 2.76)**



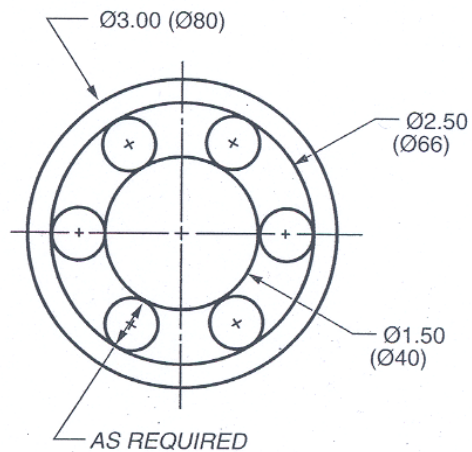
**CIRCLE MAZE (FIG 2.77)**



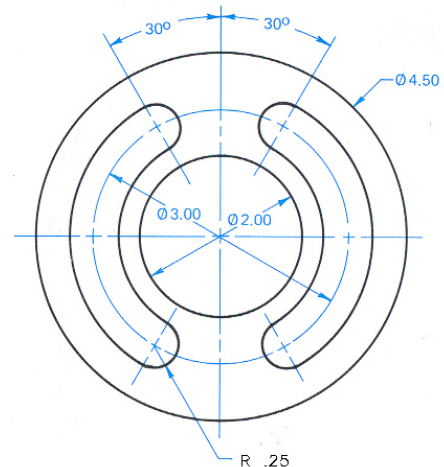
**LOCKING CUFF (FIG 2.78)**



**CROSS WIRE (FIG 2.79)**



**BEARING (FIG 2.80)**



**ADJUSTMENT FLANGE (FIG 2.81)**