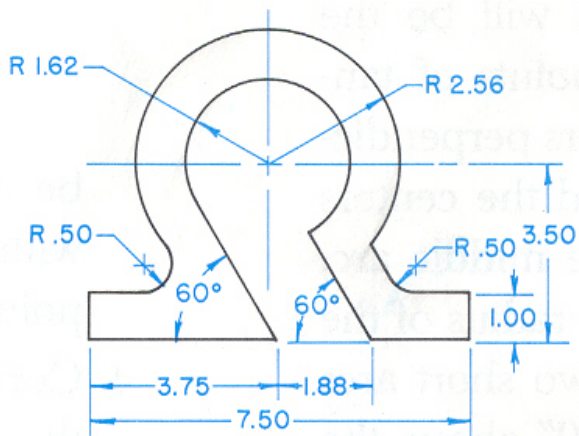
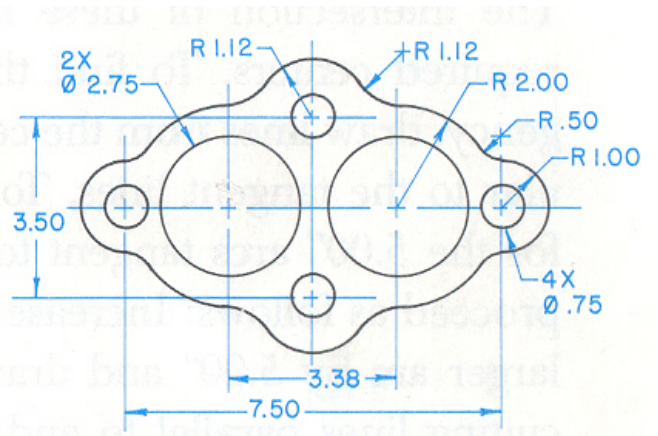


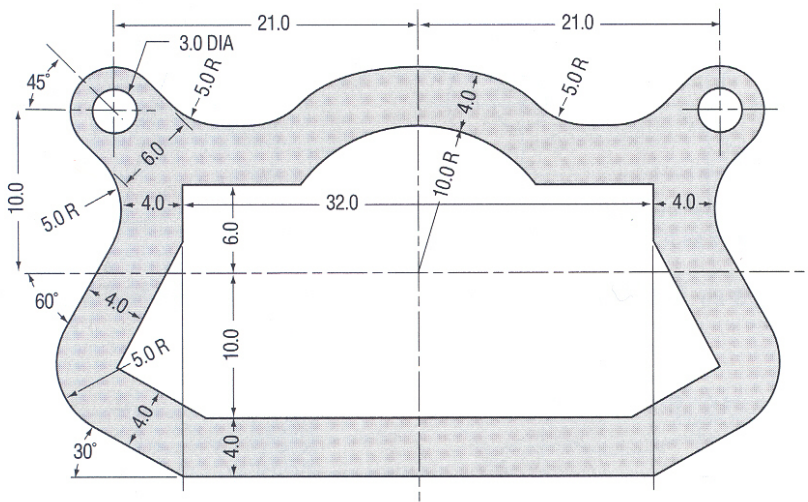
2015 SINGLE VIEW PRECISION CAD DRAWINGS



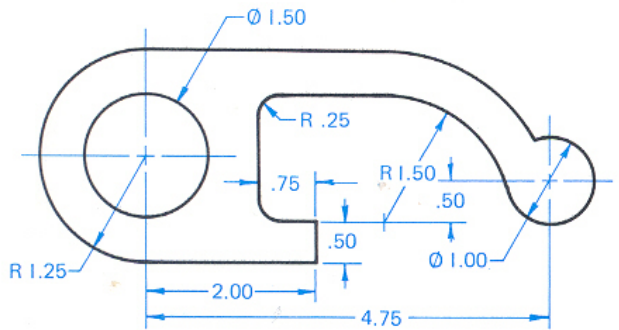
HOUSING (FIG 3.13)



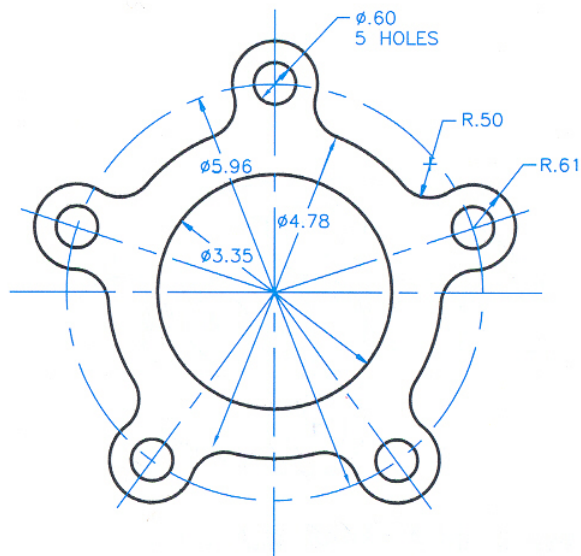
LARGE CARB GASKET (FIG 3.14)



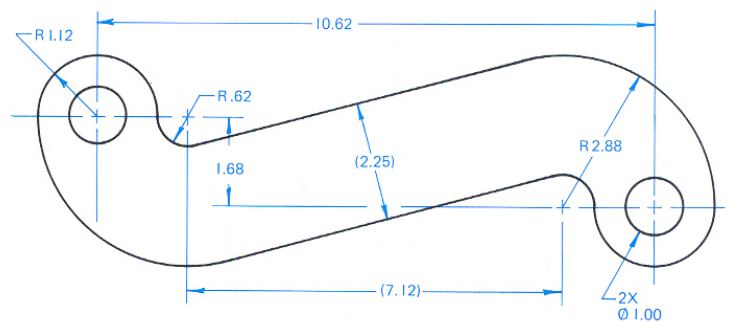
CUSHIONING BASE (FIG 3.15)



ADJUSTABLE SELECTOR (FIG 3.16)



5 HOLE GASKET (FIG 3.17)



OFFSET (FIG 3.18)