

Mech Design- Layout the following drawings and dimension and section using the ANSI standards taught in class.

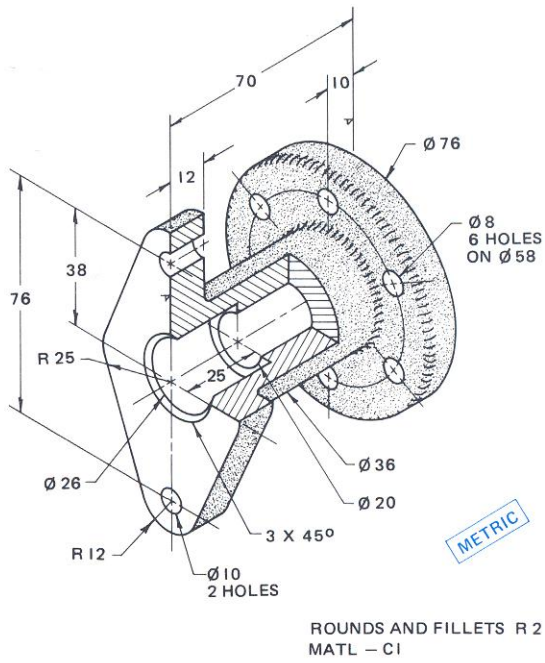


Fig 5-106 **CAD3** Flanged coupling.

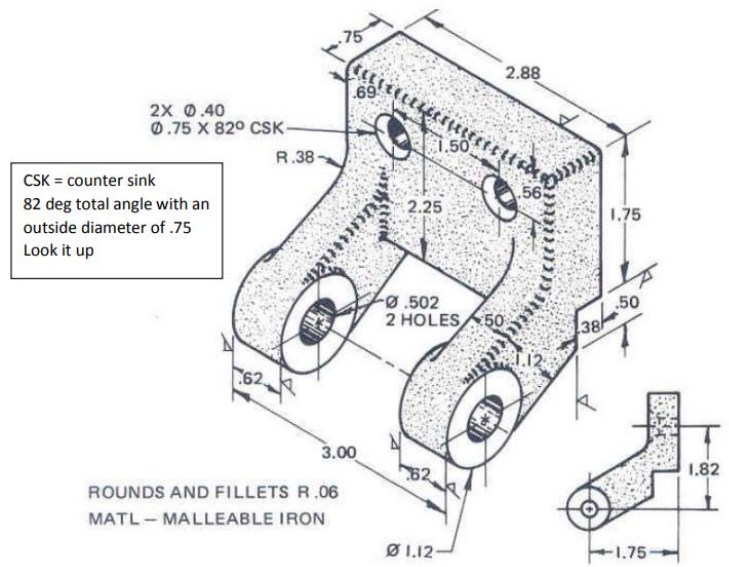


Fig 5-107 Thingy