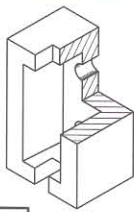
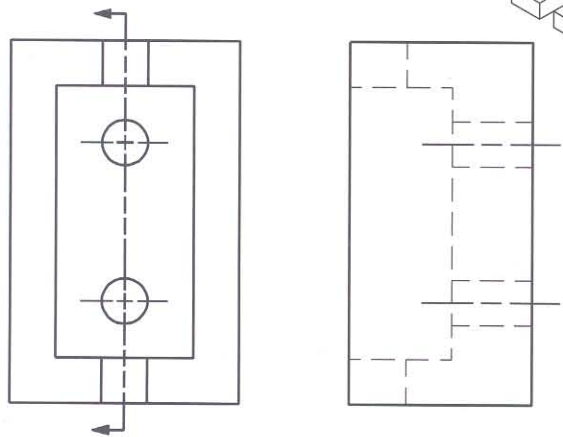
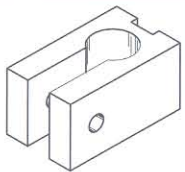
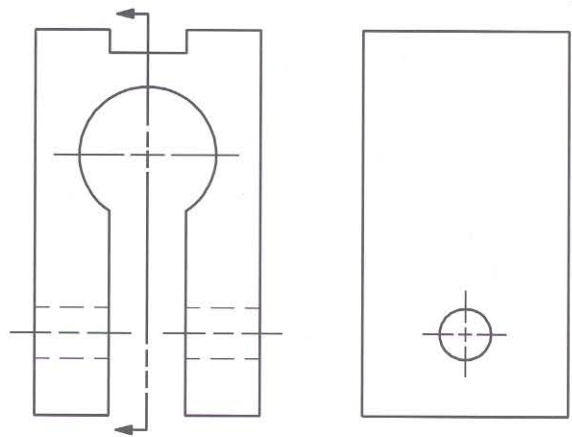


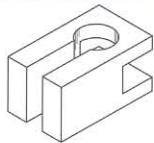
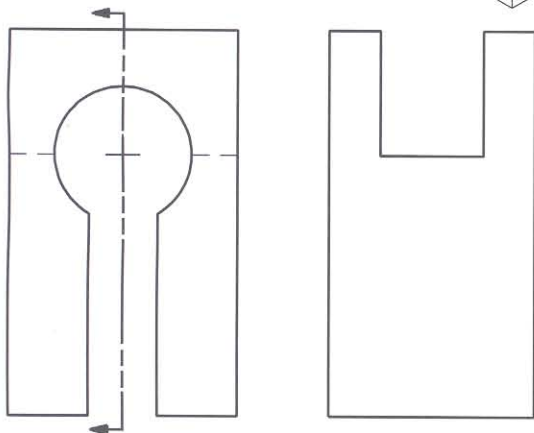
Problem 9-1: Convert the right-side view to a full section. Use general-purpose section lining.



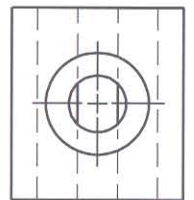
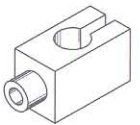
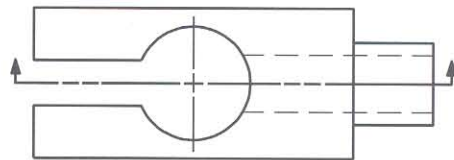
Problem 9-2: Complete the right-side view as a full section. Use general-purpose section lining.



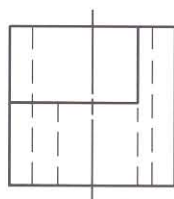
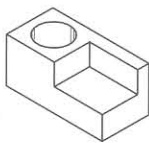
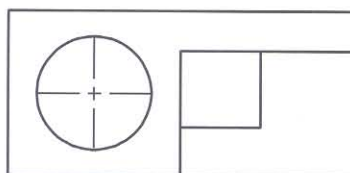
Problem 9-3: Complete the right-side view as a full section. Use general-purpose section lining.



Problem 9-4: Draw the front view as a full section. Use general-purpose section lining.



Problem 9-5: Draw the front view as a full section. Use general-purpose section lining.



Problem 9-6: Draw the front view as a full section. Use general-purpose section lining.

